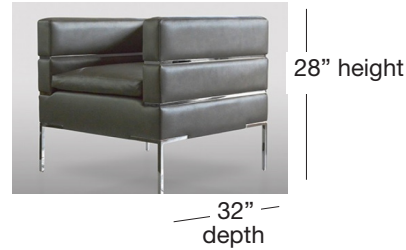


## HOW TO MEASURE FURNITURE

### FURNITURE DIMENSIONS

#### Will it work in my space?

First look at our published dimensions (e.g. 91"Wx32"Dx28"H) width x depth x height in inches. This will help you decide if your furniture will fit in your space.\*



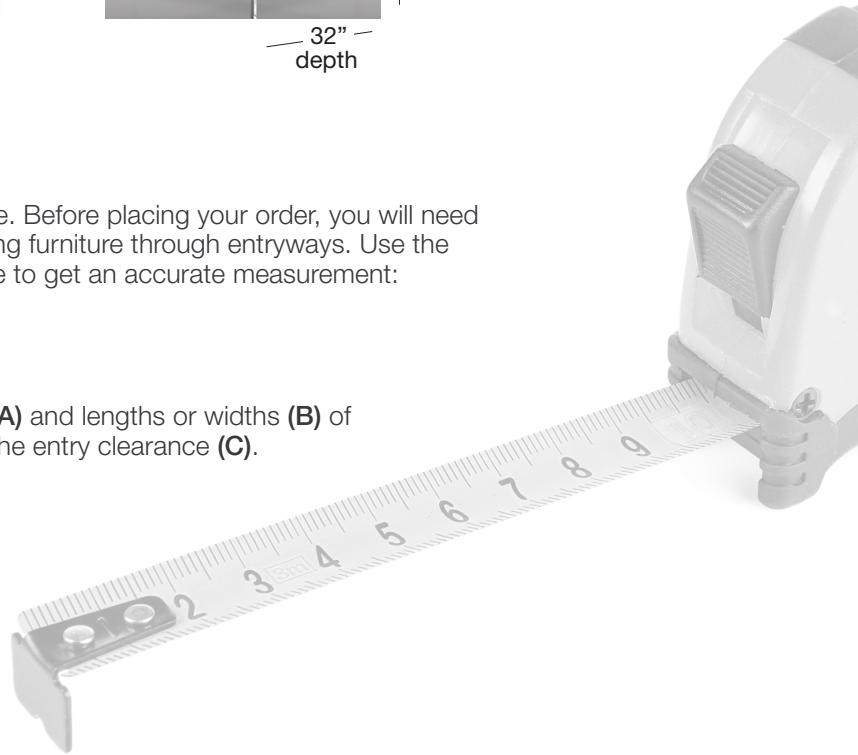
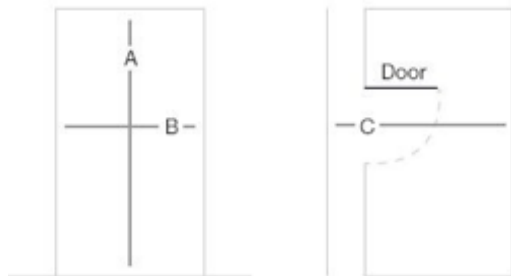
### DELIVERY DIMENSIONS

#### Will it fit in my space?

Here are some tips on how to measure your space. Before placing your order, you will need to obtain specific measurements that relate to fitting furniture through entryways. Use the measurement methods below and a tape measure to get an accurate measurement:

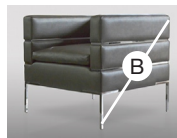
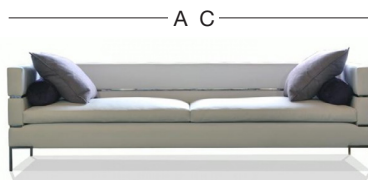
#### 1. Measure Your Residence Entryways

Use a measuring tape, measure the heights (A) and lengths or widths (B) of any hallways and door accesses, as well as the entry clearance (C).



#### 2. Measure Your Furniture

Sofas, Sectional sofas: measure the width (A) and diagonal depth (B)\*.



Sofa width must be less than entryway dimension **A** or **C** Diagonal depth must be less than entryway dimension **B**

Before placing your order, if you have any questions, please call 323-584-1315 or email: [inquiries@nafurniture.com](mailto:inquiries@nafurniture.com)