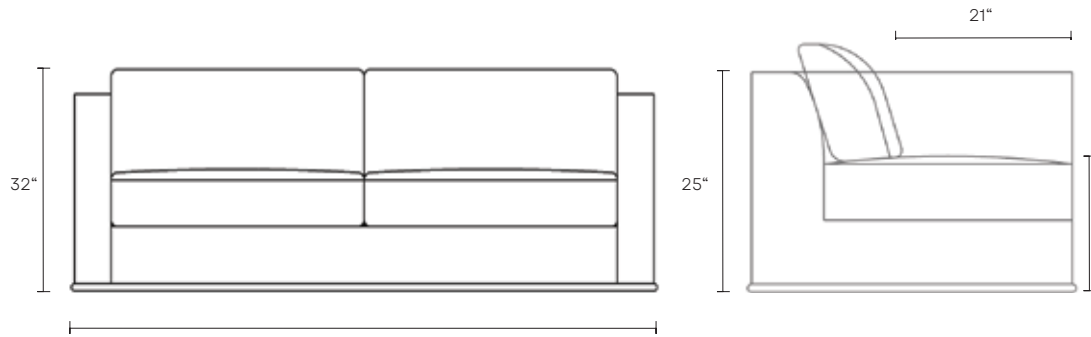


ELAN/R007



SPECIFICATIONS:

FRAME:

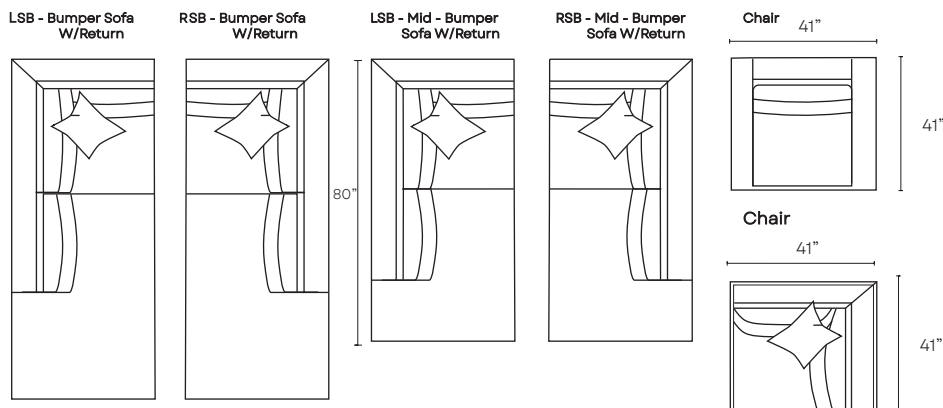
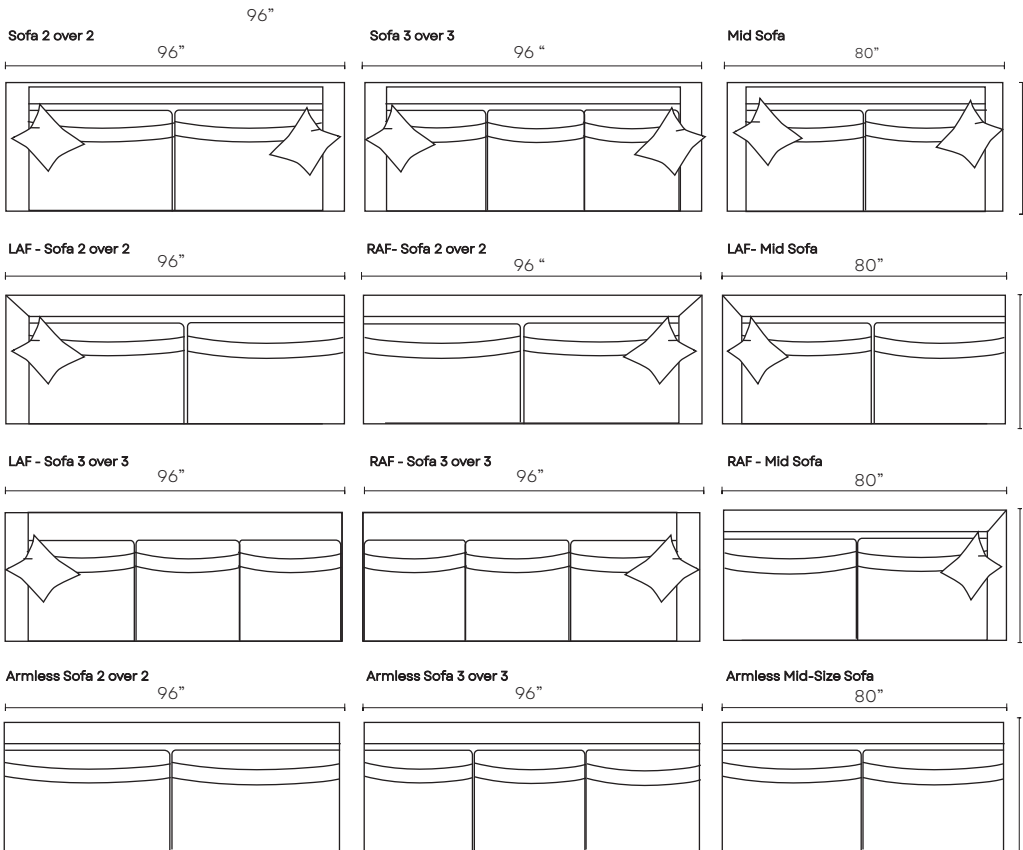
Made of kiln-dried tight-grained hard wood called Alder. This wood is harvested from sustainable forests. All edges and arms are carefully padded by hand with high-density foam.

FILL:

L1 - NA Standard Fill: Seat Cushions -HR foam 2.5lb core sandwiched and wrapped with 100% Dacron fibers. Back Cushions/Pillows - Made of 100% Dacron fiber. (Required Maintenance - To maintain a L1's longevity, shape and fullness, we suggest you smooth out, toss and turn each pillow and cushion regularly).

BASE:

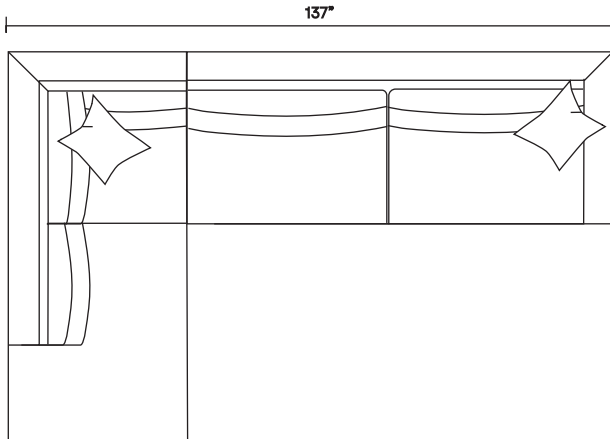
Metal Polished Chrome Tubular Base
41" Standard Height: 1" (Floats 1" off ground).



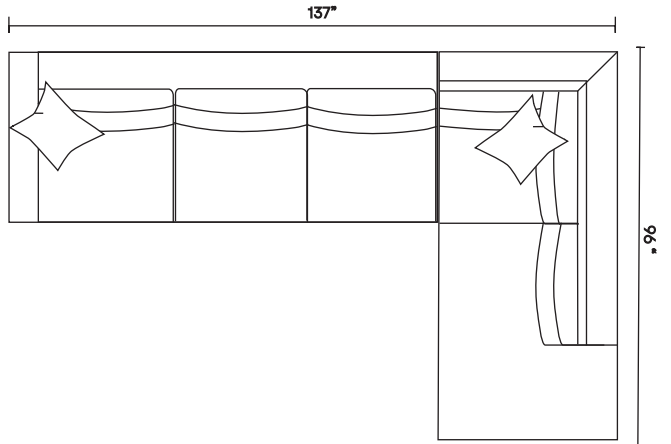
ELAN/R007



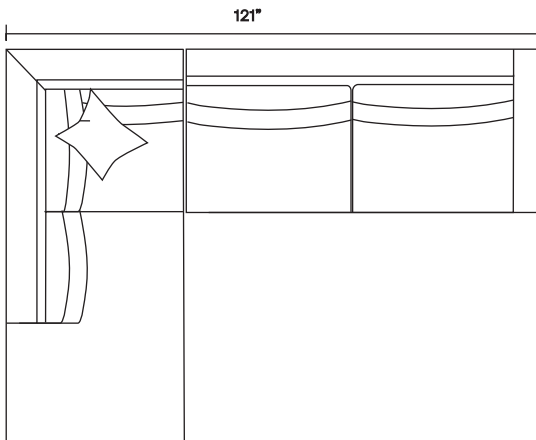
LSB - Bumper Sofa with Return & RAF - Sofa (2 over 2)



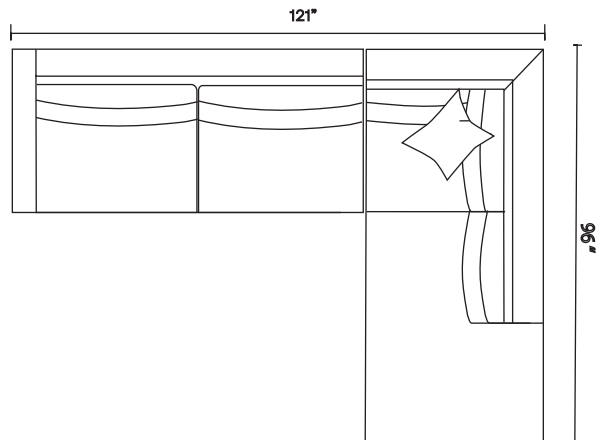
LAF - Sofa (3 over 3) & RSB - Bumper Sofa with Return



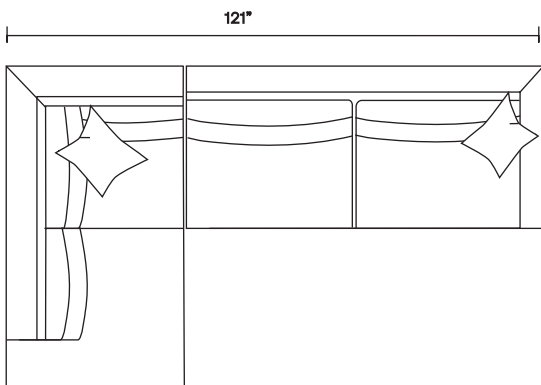
LSB - Bumper Sofa with Return & RAF - Mid Sofa



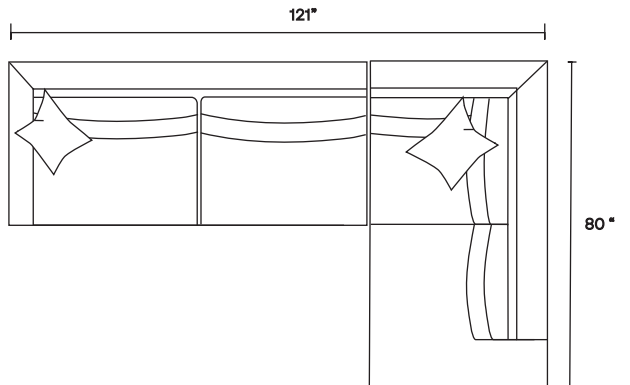
LAF - Mid Sofa & RSB - Bumper Sofa with Return



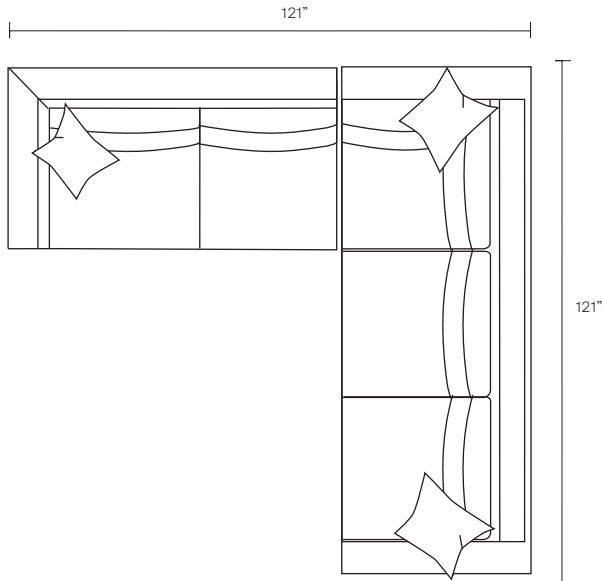
LSB - Mid Bumper Sofa with Return & RAF - Mid Sofa



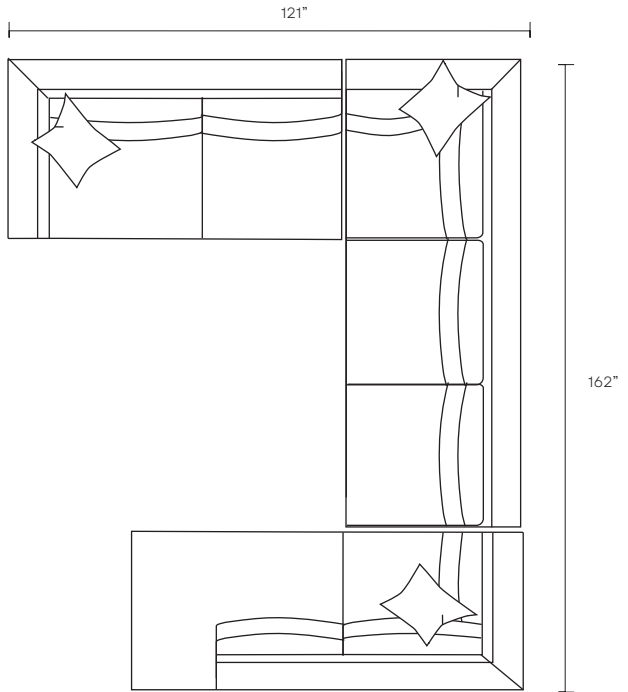
LAF - Mid Sofa & RSB - Bumper Sofa with Return



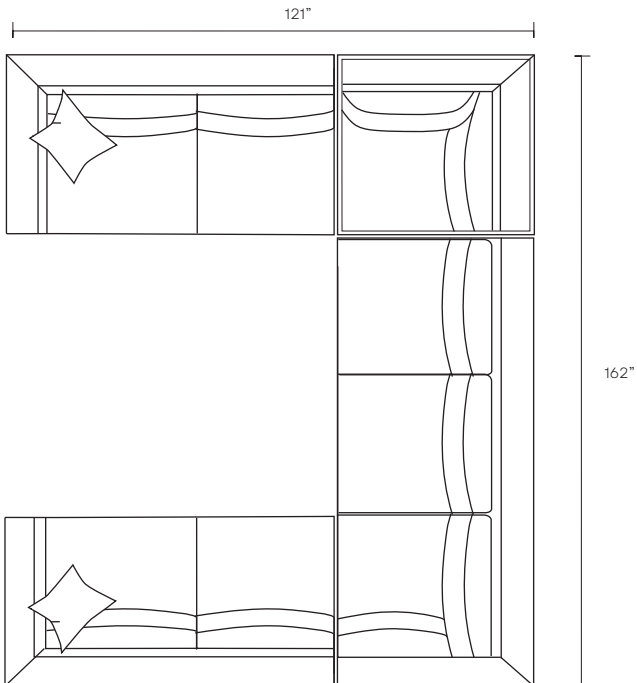
LAF - Mid Sofa, Corner & RAF - Mid Sofa



LAF - Mid Sofa, Corner, Armless Mid Sofa & RSB - Bumper Sofa with return



LAF - Mid Sofa, Corner, Armless Mid Sofa, Corner & RAF - Mid Sofa



LSB - Bumper Sofa w/rtrn, Armless Mid - Sofa and RSB - Bumper Sofa w/rtrn

